

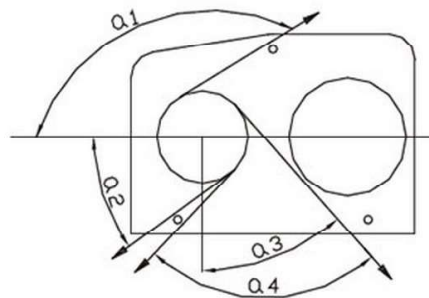
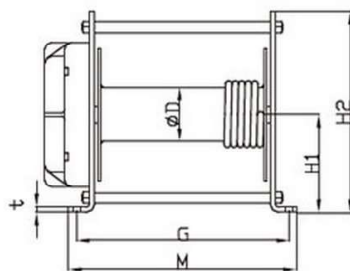
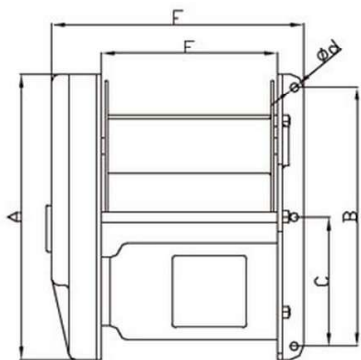
## Wire elspil / Wire Winch



Kompakt og praktisk design  
Godkendt til træk og løft  
Isolationsklasse F  
IP5436

Compact and practical design  
Approved for pulling and lifting  
Insulation class F  
IP54

Art No.	Capacity kg	Wire dia mm	Wire length mgh	Hastighed m/min	Volt	Weight without wire kg
SEWH0250	250	5	62	15	230	55
SEWH0500	500	6	73	15	400	90
SEWH1100	1100	9	52	10	400	98



Art No.	SEWH0250	SEWH0500	SEWH1100
A mm	430	515	515
B mm	292	480	480
C mm	-	240	240
D mm	80	120	120
d mm	13	15	15
E mm	380	415	415
F mm	255	270	270
G mm	322	336	336
H1 mm	145	176	176
H2 mm	300	365	365
M mm	345	370	370
t mm	8	10	10
α1	149°	150°	150°
α2	36°	33°	33°
α3	42°	39°	39°
α4	86°	89°	89°