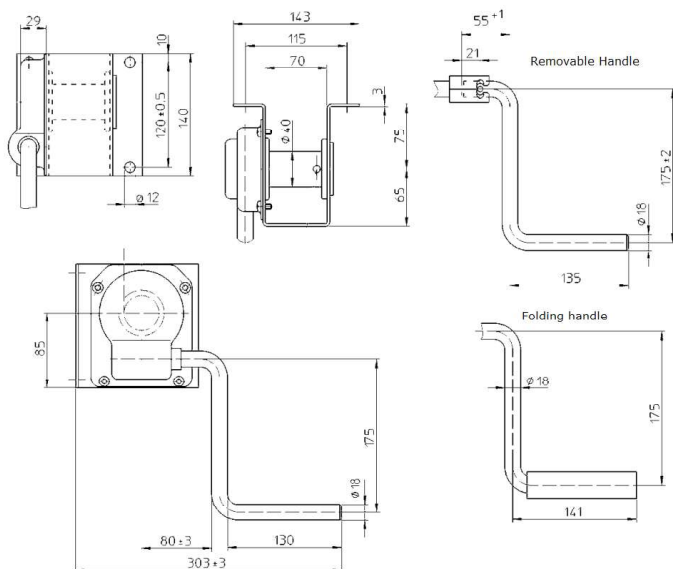


## Håndspil / Hand Winch



Robust spil, nemt at håndtere  
 Flere muligheder for montering  
 Selvlåsende gearing, vandresistent  
 Tilføbsmulighed:  
 Polyamid tov  
 Stålwire

Robust, easy to operate winch  
 Various possibilities to mount  
 Self locking worm gear drive, waterproof  
 Optional:  
 Polyamide rope  
 Steel wire rope



| Art No.  | Handle           | Capacity kg | Wire dia mm | Wire length m | Gear ratio | Crank force N | Lift/crank turn mm | Weight Kg |
|----------|------------------|-------------|-------------|---------------|------------|---------------|--------------------|-----------|
| HRW250FI | Fixed handle     | 250         | 4           | 3,3           | 25:1       | 66            | 5,8                | 4,1       |
| HRW250FO | Folding handle   | 250         | 4           | 3,3           | 25:1       | 66            | 5,8                | 4,1       |
| HRW250RE | Removable handle | 250         | 4           | 3,3           | 25:1       | 66            | 5,8                | 4,1       |
| HRW250RA | Ratchet lever    | 250         | 4           | 3,3           | 25:1       | 66            | 5,8                | 4,1       |

## 12V elspil / 12V Winch 900 Kg



Leveres med:  
 Stålwire  
 Krog  
 Kabel fjernbetjening  
 Monteringskruer

Comes with:  
 Wire rope  
 Hook  
 Remote control  
 Mounting screws

| Art No. | Wire length m | Pull capacity w. single rope kg | Motor HP | Remote control | Reduction | Brake     | Guide               | Weight Kg |
|---------|---------------|---------------------------------|----------|----------------|-----------|-----------|---------------------|-----------|
| 12V0900 | 10            | 907                             | 0,9      | Wired          | 153:1     | Automatic | Optional, 4-rollers | 5,8       |