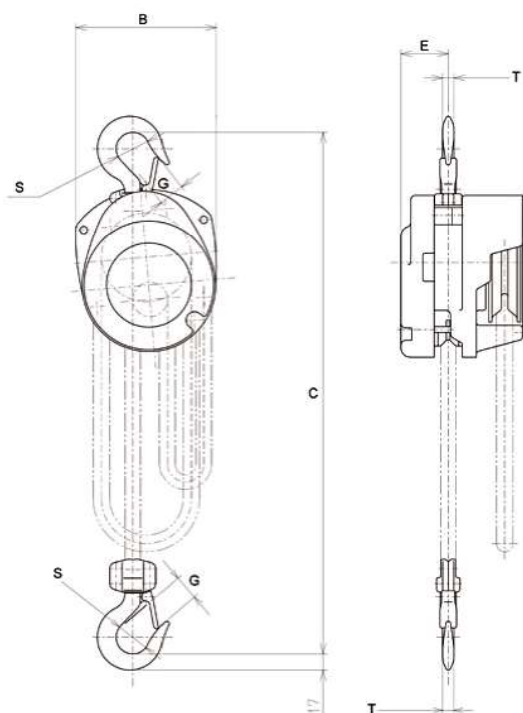


Håndkædetalje, Kito CF4 / Chain Hoist, Kito CF4



Robust udførelse med få konstruktionsdele
 Super lastkæde klasse 10
 Testet med 50% overbelastning
 Aluminiumstøbt hus
 Kuglelejer - lavt kraftforbrug
 Kompakt konstruktion
 Asbestfrie bremsere

Strong construction with few structural parts
 Super Load Chain Class 10
 Tested with 50% overload
 Aluminum casting house
 Bearings - low power consumption
 Compact construction
 Asbestos free brakes



Art No.	Capacity tons	Lifting Height mtr.	Chain dia mm	Chain parts	C mm	B mm	E mm	G mm	S mm	T mm	Weight kg
SCF005	0,5	3,0	5,0x15,1	1	325	150	51	27	35	12	11
SCF010	1,0	3,0	6,3x19,1	1	370	174	58	29	42	16	13
SCF015	1,5	3,0	7,1x21,2	1	440	203	61	34	47	20	18
SCF020	2,0	3,0	6,3x19,1	2	510	204	58	36	50	22	21
SCF030	3,0	3,0	7,1x21,2	2	590	240	61	42	56	27	28